

Halo Pendant Installation Instructions

Bespoke Halo Pendants

CAUTION - This product must be installed by a licensed electrician otherwise all warranty is void.

For warranty information, please contact your local re-seller or visit www.contessalighting.com.au/warranty.

Contessa Lighting LED Halo Pendants are warranted for a period of one (1) years provided the fitting was installed by qualified personnel in compliance with your local applicable regulations and relevant legislation.

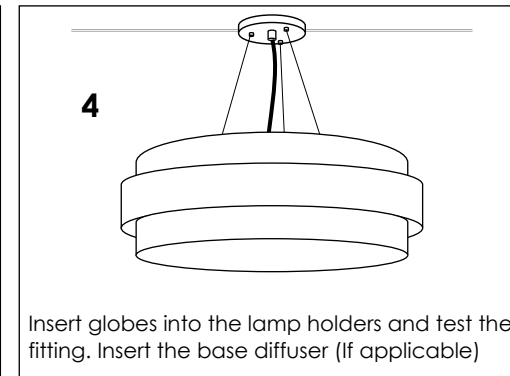
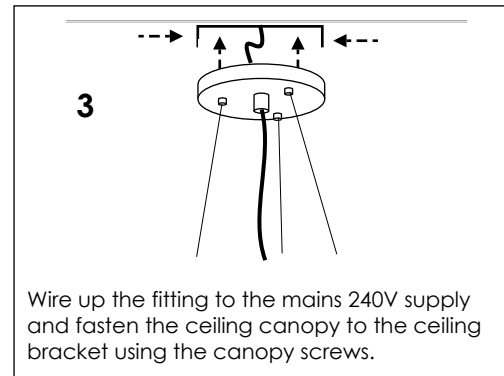
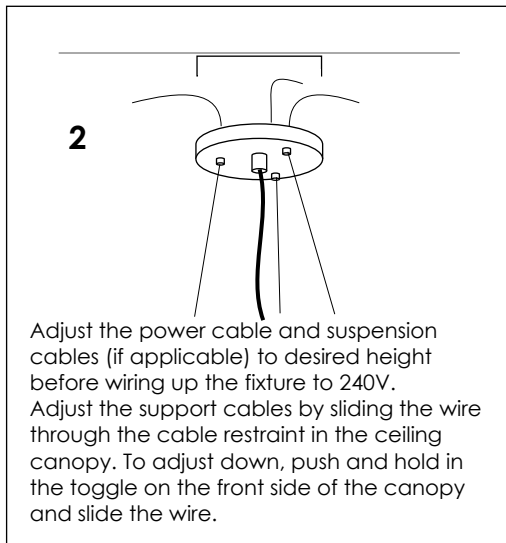
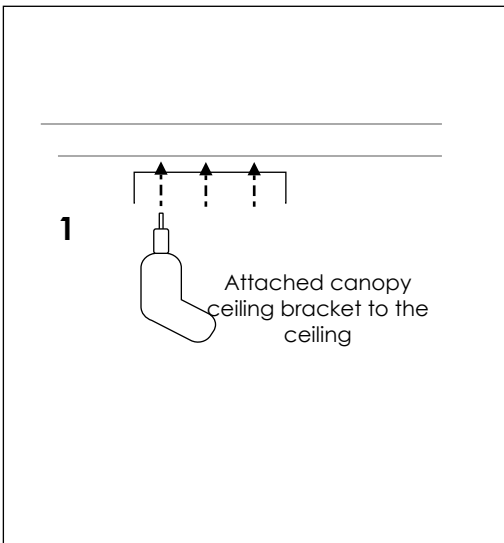
Contessa Lighting does not warrant claims based on defects or damage caused by improper installation, improper operation, misuse and/or modifications carried out by the purchaser or third parties. This will result in warranty being void.

SURGE PROTECTION - Surge protection must be installed on the mains supply to avoid damage to LED's and Drivers due to transient voltage.

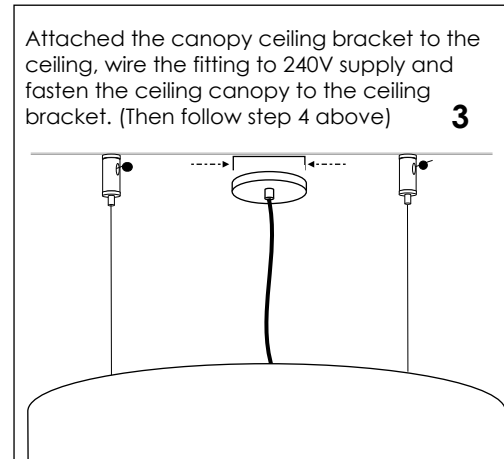
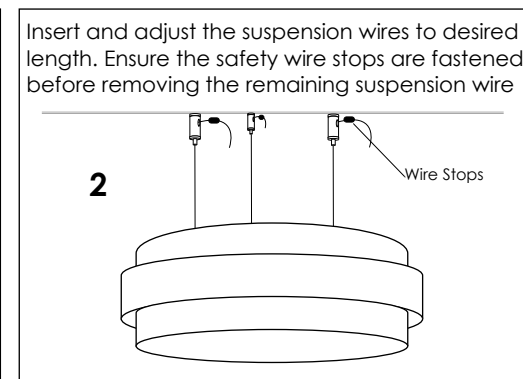
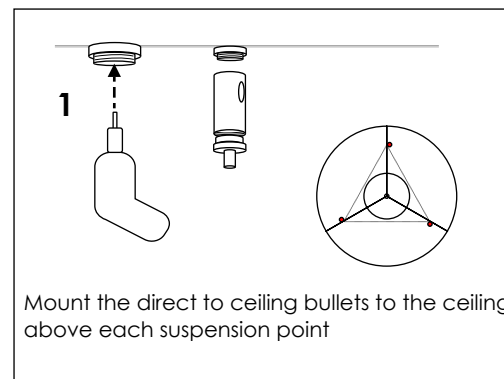
Contessa Lighting's warranty does not cover fittings that have been damaged by spikes in voltage power supply.

ENSURE THE CIRCUIT YOU ARE WORKING WITH IS SWITCHED TO THE OFF POSITION

Type: Back to Canopy (BTC)



Type: Direct To Ceiling Suspension (DTC)



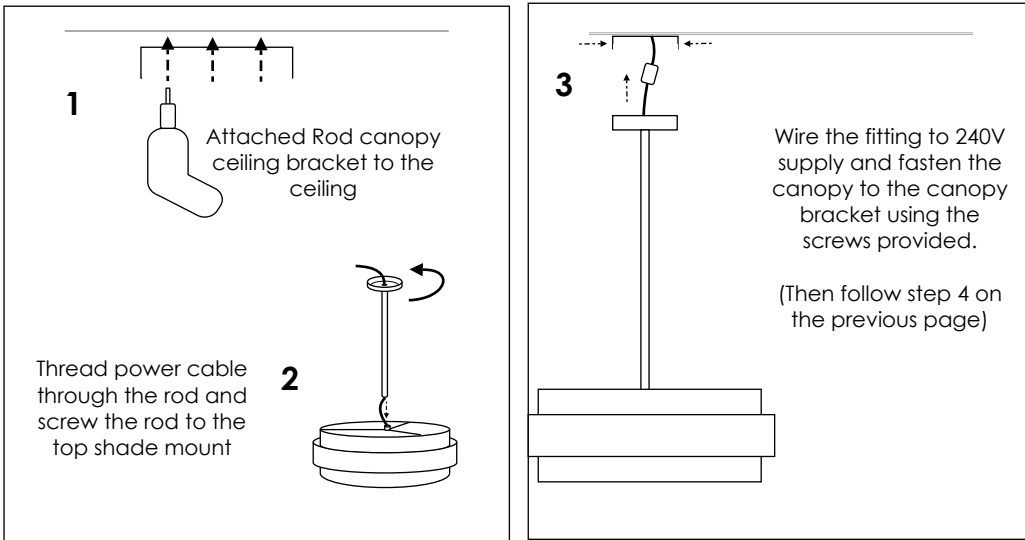
CAUTION: IT IS NOT RECOMMENDED TO CUT THE SUSPENSION CABLE. IF POSSIBLE, STORE IN THE CEILING.

Dimming

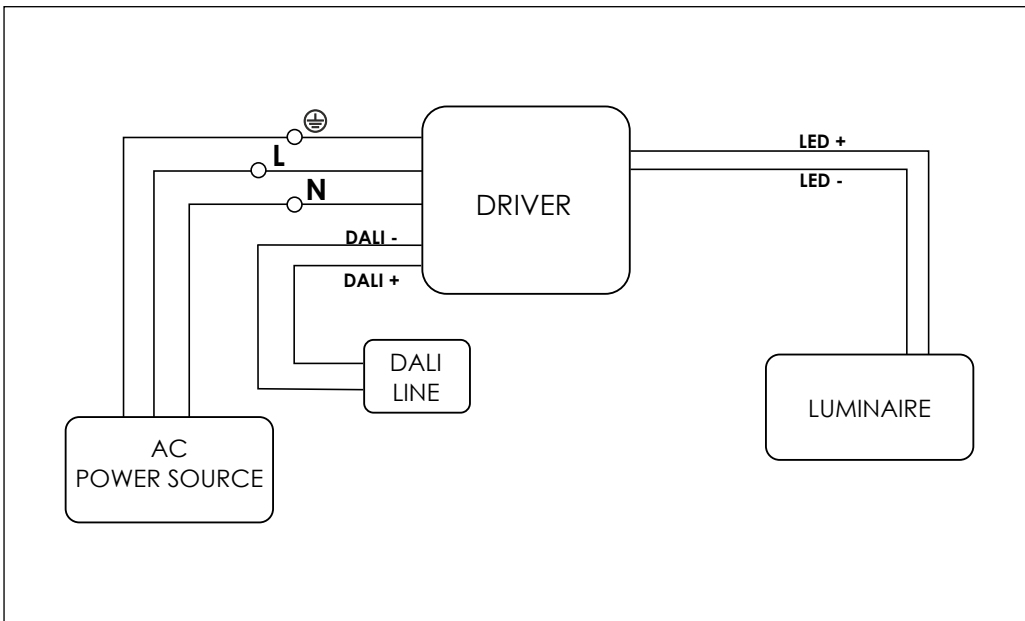
The Halo Pendants feature standard E27 lamp holders. For dimming, use dimmable E27 LED globes.

If DALI dimming is required, the pendants can be supplied with an optional integral 40W LED panel. This option must be specified before manufacture.

Type: Rod Suspension



Tridonic DALI (Optional) Wiring Diagram



Halo Pendant Installation Instructions

