



## Physical Characteristics:

### Dimensions:

Profile: 20x25mm H

See diameters on next page

### Diffuser Options:

Matt opal frosted

### Mounting Options:

- Suspended 9 x wire 3000mm (one acts as power supply) back to canopy (BTC)  
Canopy Size: 280mm Ø x 50mm H
- Suspended 9 x wire 3000mm (one acts as power supply) direct to ceiling (DTC)  
No Canopy

## Electrical Configuration:

### Power:

- 450/600/800mm = 102 Watts
- 600/800/1000mm = 138 Watts
- 800/1000/1200mm = 167 Watts
- 1000/1200/1500mm = 197 Watts

### IP Rating:

IP20

### Lumen Efficacy:

>100 Lumens / watt

### LED Lifetime:

50,000 Hours @ 25°C

### Control Gear:

Constant current LED Driver

### Dimming Options:

Phase cut included (450/600/800mm only)

1-10 Volt included (600/800/1000mm +)

SwitchDIM optional

DALI optional

## Photometric's:

### Lumen Output:

- 102 Watts = 7390 lumens
- 138 Watts = 8900 lumens
- 167 Watts = 10,284 lumens
- 197 Watts = 12,400 lumens

### LED Type:

Samsung LED boards

### CRI:

CRI 80+

### CCT:

3000k, 4000k, 5000k

*(Outputs based on 3000k)*

### Distribution:

Direct. 120° Diffused.

*(Indirect light output available)*

## Finishes:



Texture Black



Texture White



Brushed Gold  
*(450, 600 & 800mm only)*



Brushed Nickel

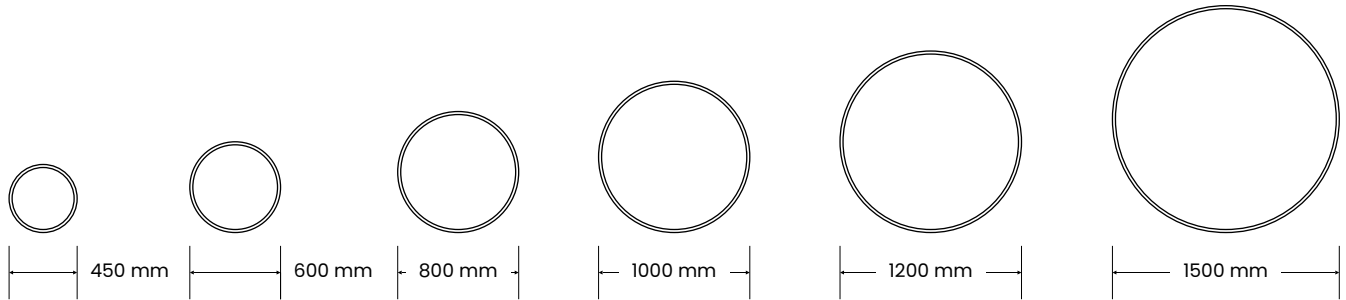


Tarnished Brass  
*(Indent line)*



Custom Colour  
*(Select your own)*

Size options:



*(All diameters can be combined to create tiered pendants)*