

# Acoustic Whirl

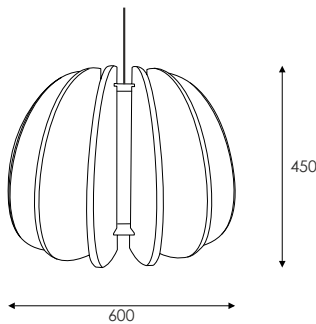




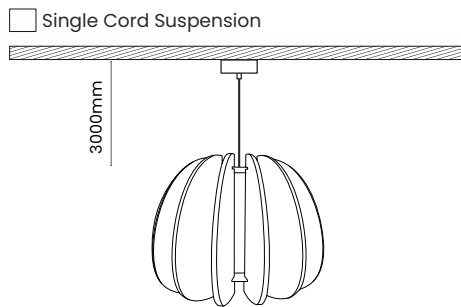
## PHYSICAL CHARACTERISTICS:

### DIMENSIONS:

(All measurements are in MM)



### MOUNTING OPTIONS:



### SUSPENSION LENGTH

Suspension lengths can be specified longer however the standard is;

Cord = 3000mm long (adjustable)

Custom length *Please specify,*

### FITTING WEIGHT:

3-4 Kg

### CANOPY OPTIONS:

D70mm x H25mm

D100mm x H25mm

## ELECTRICAL CONFIGURATION:

### POWER / OUTPUT

E27 Lampholder (10W LED removable lamp)

### DISTRIBUTION

Direct light only (Shade diffused)

### CCT

3000K Warm White

4000K Cool White

5000K Day Light

### CRI

CRI >80 (standard)

CRI 90 (optional - fees apply)

### IP RATING

IP20 (For indoor use only. Should not be used in wet areas)

### DIMMING

Non Dim - On/Off

### CONTROL GEAR

Not applicable. E27 Globes Included

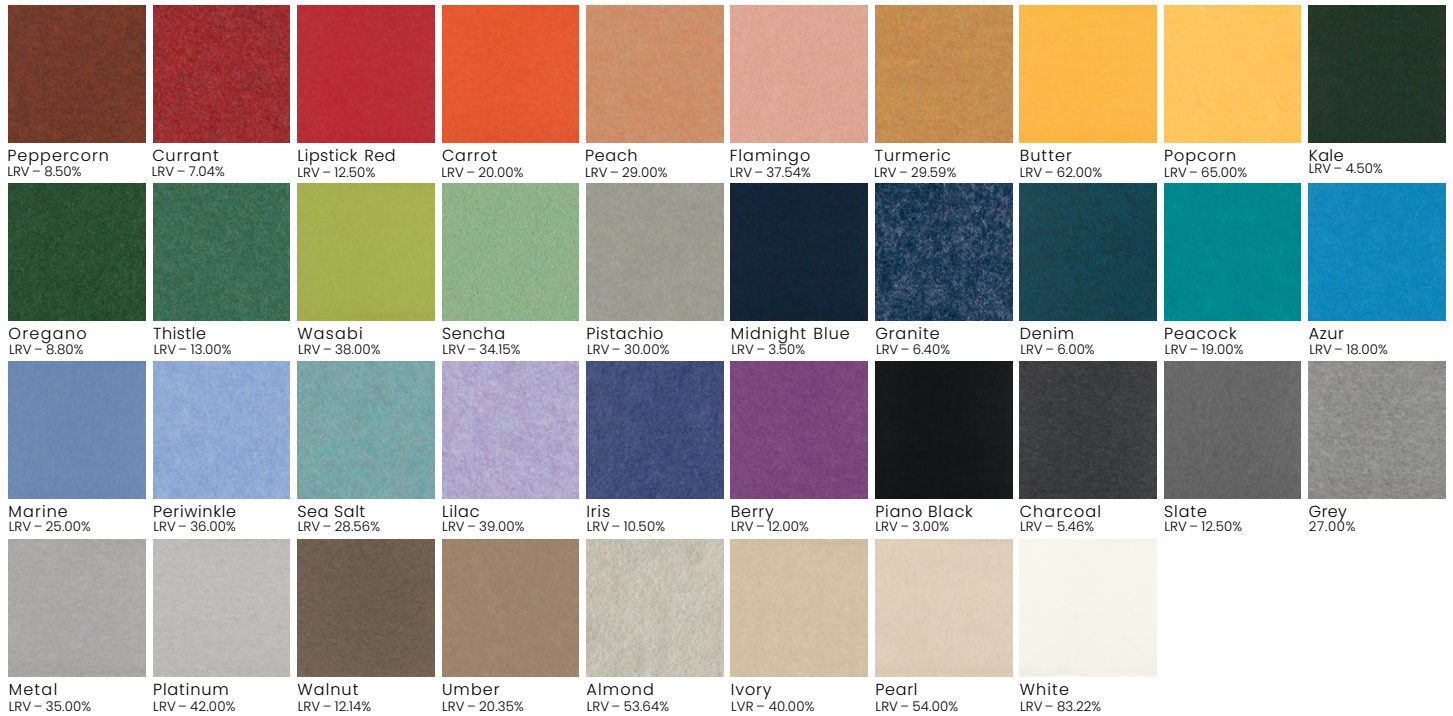
### WARRANTY

3 Years (standard)

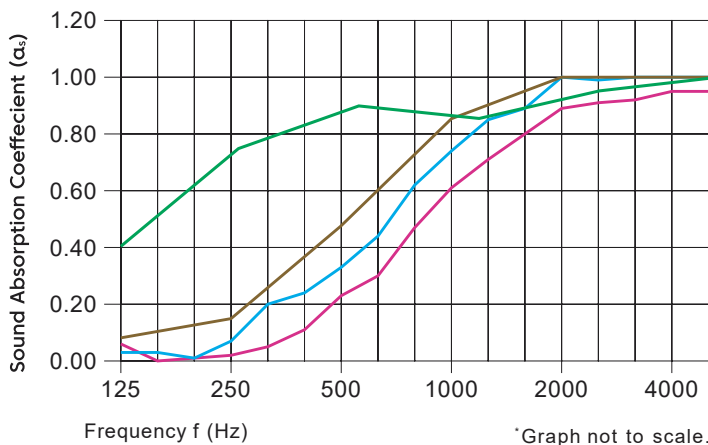
5 Years (optional - fees apply)

## ACOUSTIC COLOURWAYS:

Light Reflectance Values (LRV), are a measurement of the percentage of visible and usable light that is reflected from a surface when illuminated by a light source.

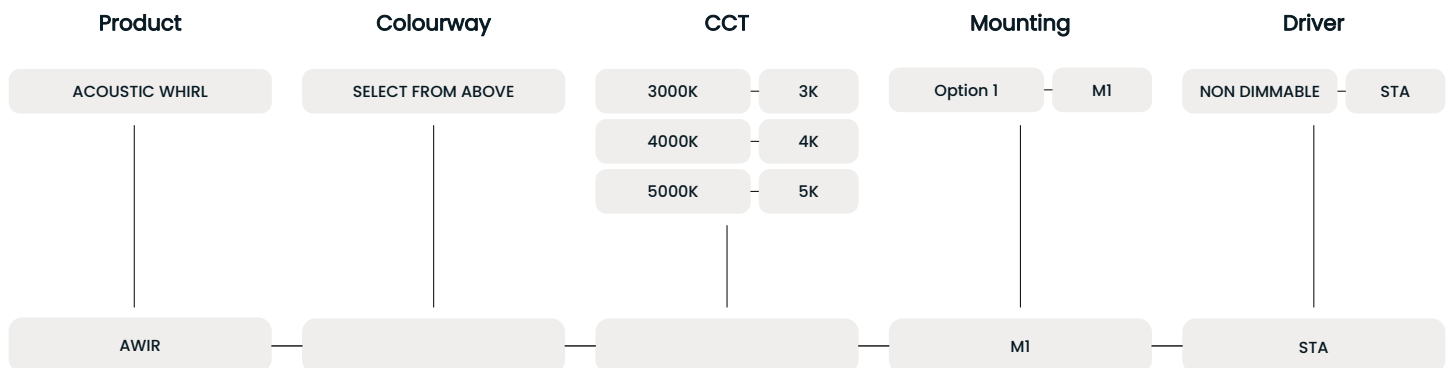


## ACOUSTIC PERFORMANCE:



Frequency (Hz)	125	250	500	1000	2000	4000	NRC
$\alpha_s$ no air gap	0.06	0.02	0.23	0.61	0.89	0.95	0.45
$\alpha_s$ 12mm air gap	0.03	0.14	0.33	0.74	1.00	1.00	0.54
$\alpha_s$ 20mm air gap	0.05	0.16	0.48	0.85	1.00	1.00	0.64
$\alpha_s$ 200mm air gap	0.40	0.75	0.90	0.85	0.95	1.00	0.85

## Code Generator:



When specifying custom details, please include the specifications in the comments section of the online project quote request function on our website or include in the lighting schedule.