

Cloud





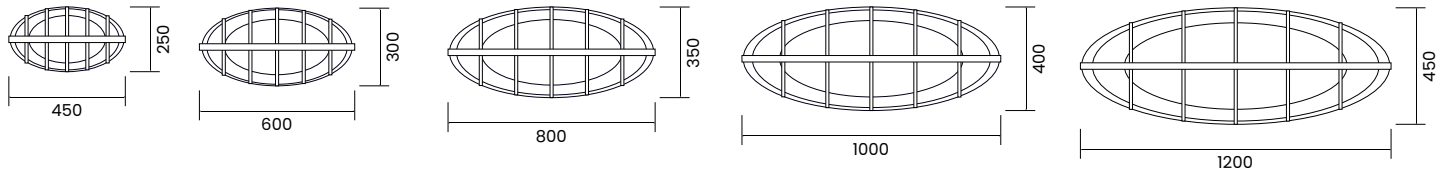
DALI
OPTIONAL

IP20
RATED

DIRECT
LIGHT

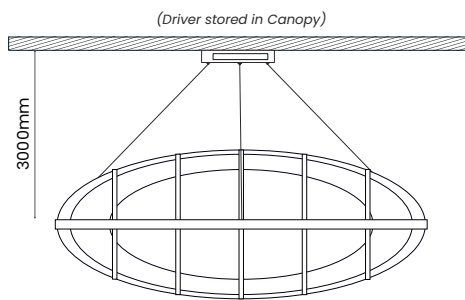
PHYSICAL CHARACTERISTICS:

SIZE OPTIONS:

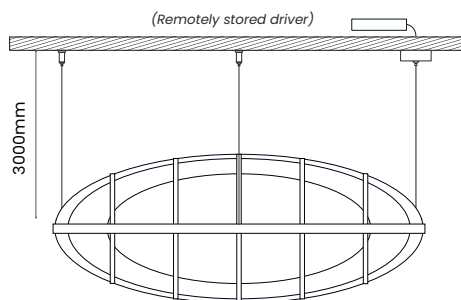


MOUNTING OPTIONS:

Option 1 - Back to Canopy



Option 2 - Direct to Ceiling

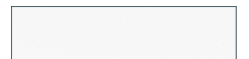


FRAME FINISHES:

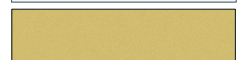
Texture Black



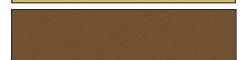
Texture White



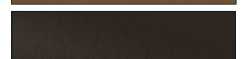
Gold Pearl



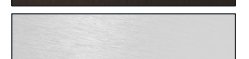
Copper Bronze



Dark Bronze



Texture Silver



Custom Finish *Please specify,*

ACOUSTIC COLOURWAYS ARE LISTED OVERPAGE

SUSPENSION LENGTH

Suspension lengths can be specified longer however the standard is;

Wires = 3000mm long (adjustable)

Custom length *Please specify,*

FIXTURE WEIGHTS:

450mm = 6-7 Kg

600mm = 7-9 Kg

800mm = 9-11 Kg

1000mm = 11-13 Kg

1200mm = 13-15 Kg

ELECTRICAL CONFIGURATION:

PCB LIGHT ENGINE *(Constant Current)*

450mm = 24 Watts | 1750 Lumens
 600mm = 36 Watts | 2660 Lumens
 800mm = 42 Watts | 2984 Lumens
 1000mm = 60 Watts | 3300 Lumens
 1200mm = 65 Watts | 4000 Lumens

DISTRIBUTION

- Direct light. 100° Diffused.
- Direct & In-direct light. Diffused

CCT

- 3000K Warm White *(Stocked)*
- 4000K Cool White *(Stocked)*
- 5000K Day Light
- Tunable White
- RGB *(Different wattage applies)*
- RGBW *(Different wattage applies)*

CRI

- CRI >80 (standard)

IP RATING

IP20 (For indoor use only. Should not be used in wet areas)

DIMMING

- Phase Cut
- 1-10V Volt
- SwitchDIM
- DALI

CONTROL GEAR

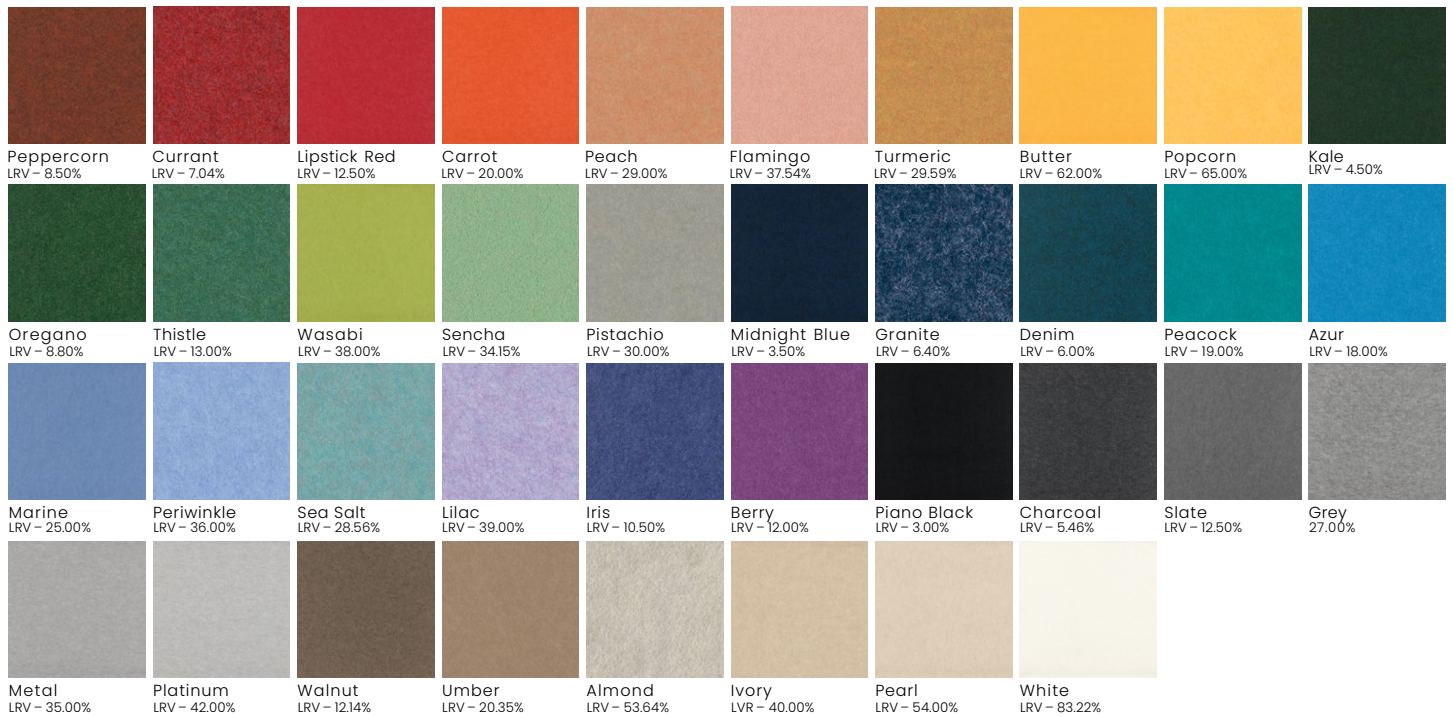
Tridonic constant current P/C dimmable driver
 Meanwell 1-10V dimmable driver
 Tridonic One4All DALI constant current driver

WARRANTY

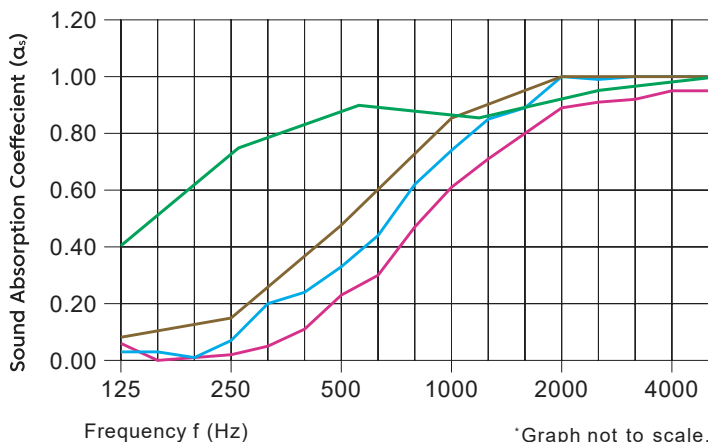
- 3 Years (standard)
- 5 Years (optional - fees apply)

ACOUSTIC COLOURWAYS:

Light Reflectance Values (LRV), are a measurement of the percentage of visible and usable light that is reflected from a surface when illuminated by a light source.



ACOUSTIC PERFORMANCE:



| Frequency (Hz) | 125 | 250 | 500 | 1000 | 2000 | 4000 | NRC |
|--------------------------|------|------|------|------|------|------|------|
| α_s no air gap | 0.06 | 0.02 | 0.23 | 0.61 | 0.89 | 0.95 | 0.45 |
| α_s 12mm air gap | 0.03 | 0.14 | 0.33 | 0.74 | 1.00 | 1.00 | 0.54 |
| α_s 20mm air gap | 0.05 | 0.16 | 0.48 | 0.85 | 1.00 | 1.00 | 0.64 |
| α_s 200mm air gap | 0.40 | 0.75 | 0.90 | 0.85 | 0.95 | 1.00 | 0.85 |

Code Generator:

| Product | Diameter | Frame Finish | Colourway | CCT | Mounting | Driver |
|---------|--------------|---------------------|-------------------|--------------------|---------------|------------------|
| CLOUD | 450MM - 45 | Texture Black - BL | SELECT FROM ABOVE | 3000K - 3K | Option 1 - M1 | Phase Cut - PC |
| | 600MM - 60 | Texture White - WH | | 4000K - 4K | Option 2 - M2 | I-10 Volt - 110V |
| | 800MM - 80 | Gold Pearl - GP | | 6500K - 5K | | DALI - DA |
| | 1000MM - 100 | Copper Bronze - CB | | Tunable White - TW | | SwitchDIM - SwD |
| | 1200MM - 120 | Dark Bronze - DB | | RGB - RGB | | |
| | | Texture Silver - TS | | RGBW - RGBW | | |
| | | CUSTOM - C/F | | | | |
| ACLD | | | | | | |

When specifying custom details e.g. finish, please include the details in the comments section of the online project quote request function on our website or include in the lighting schedule.