

Acoustic Drum





TRIDONIC
PCB LIGHT ENGINES

DALI
OPTIONAL

IP20
RATED

DIRECT
LIGHT

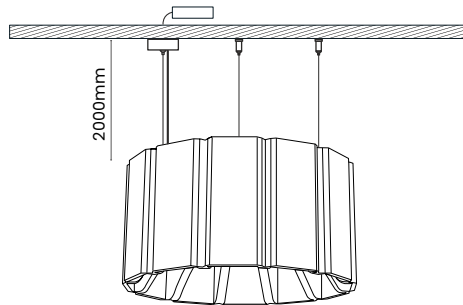
PHYSICAL CHARACTERISTICS:

DIMENSIONS:

- 600mm Dia x 300mm Height
- 900mm Dia x 350mm Height
- 1200mm Dia x 400mm height
- Custom Dimensions

MOUNTING OPTIONS:

- 3 x Wires Direct to Ceiling
(Remotely stored driver)



SUSPENSION LENGTH

Suspension lengths can be specified longer however the standard is;

Wires = 2000mm long (adjustable)

- Custom length *Please specify,*

FITTING WEIGHT:

7 Kg

CANOPY OPTIONS:

- D70mm x H25mm
- D100mm x H25mm

ELECTRICAL CONFIGURATION:

TRIDONIC LIGHT MODULE *(Constant Current)*

600mm= 20W Output = 2300 lumens

900mm= 40W Output = 4000 lumens

1200mm= 50W Output = 5000 lumens

DISTRIBUTION

Direct light only (Diffused)

CCT

- 3000K Warm White
- 4000K Cool White
- 6500K Day Light
- Tunable White

CRI

- CRI >80 (standard)
- CRI 90 (optional - fees apply)

IP RATING

IP20 (For indoor use only. Should not be used in wet areas)

DIMMING

- Non Dim - On/Off
- Phase Cut
- SwitchDIM
- DALI

CONTROL GEAR

Tridonic constant current P/C dimming driver

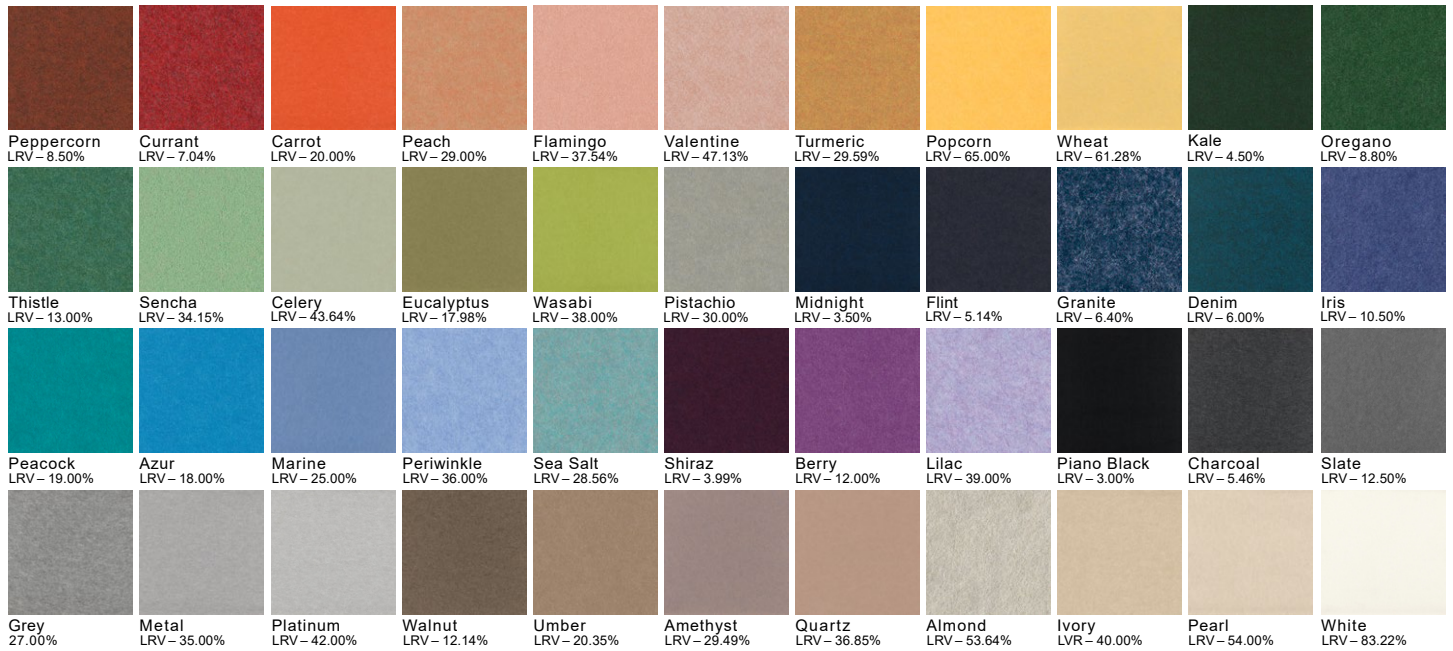
Tridonic One4All DALI constant voltage driver

WARRANTY

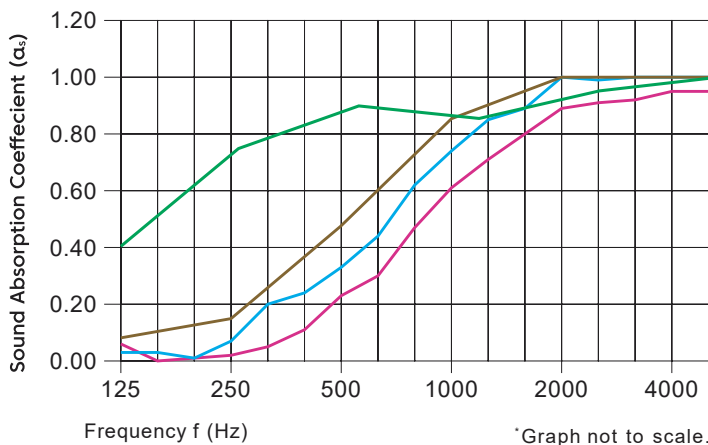
- 3 Years (standard)
- 5 Years (optional - fees apply)

ACOUSTIC COLOURWAYS:

Light Reflectance Values (LRV), are a measurement of the percentage of visible and usable light that is reflected from a surface when illuminated by a light source.

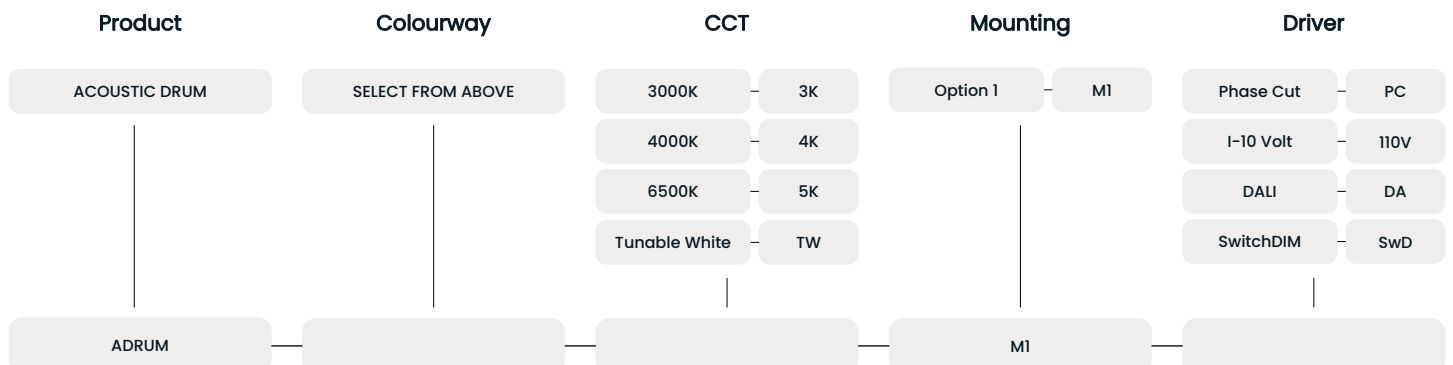


ACOUSTIC PERFORMANCE:



Frequency (Hz)	125	250	500	1000	2000	4000	NRC
α_s no air gap	0.06	0.02	0.23	0.61	0.89	0.95	0.45
α_s 12mm air gap	0.03	0.14	0.33	0.74	1.00	1.00	0.54
α_s 20mm air gap	0.05	0.16	0.48	0.85	1.00	1.00	0.64
α_s 200mm air gap	0.40	0.75	0.90	0.85	0.95	1.00	0.85

Code Generator:



When specifying custom details, please include the specifications in the comments section of the online project quote request function on our website or include in the lighting schedule.