

Beverly





PHYSICAL CHARACTERISTICS:


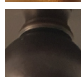
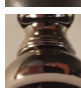
DIMENSIONS:

- 450mm Dia x 200mm Height
- 500mm Dia x 200mm Height
- 600mm Dia x 200mm height
- Custom Dimensions *Please specify,*

SHADE FINISH:

- White
- Off White
- Natural White *(Shown)*
- Mist Linen
- Other *Please specify,*

METAL-WARE FINISH:

-  Brushed Brass
-  Dark Bronze *(Shown)*
-  Polished Nickel

BASE DIFFUSER:

Opal Acrylic - Satin or Gloss

ELECTRICAL CONFIGURATION:

REMOVABLE E27 LAMPS *(Constant Current)*

3 x 9W E27 = 27W Output = 2100 lumens*
(Globes not included)

DISTRIBUTION

360° (Diffused)

CCT

- 3000K Warm White
- 4000K Cool White
- 5000K Day Light

CRI

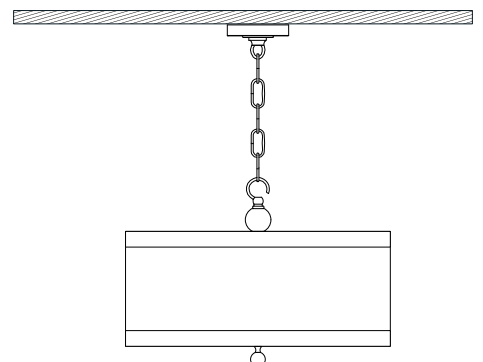
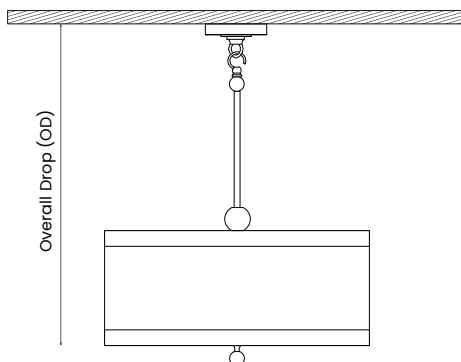
CRI >80 (Depends on lamps supplied)

IP RATING

IP20 (For indoor use only. Should not be used in wet areas)

MOUNTING OPTIONS:

- Rod Suspension *(Max 1.3m without join)*
When specifying Rod Suspension, please provide the 'overall drop' (OD - measurement from the ceiling to the bottom of where the shade is to sit)
- Chain Suspension *(Supplied in 1.2m lengths)*



CODE GENERATOR:

| Product | Diameter | Fabric | Metalware | CCT | Mounting | OD |
|---------|--|--|--|--|--------------------------|--|
| BEVERLY | 450mm - 45 500mm - 50 600mm - 60 | White - WH Off White - OWL Natural White - NW Mist Linen - ML CUSTOM - C/F | Brushed Brass - BB Dark Bronze - DB Polished Nickel - PN | 3000K - 3K 4000K - 4K 5000K - 5K | Rod - ROD Chain - CHA | <i>When specifying Rod Suspension, please provide the 'overall drop' (measurement from the ceiling to the bottom of where the shade is to sit)</i> |
| BEV | | | | | | |

CUSTOM OPTIONS:

The Beverly Drum Pendant Lights are custom made to order. Lead times range from 2-4 weeks. If required, custom options include the below;

- Changing the shade dimensions - both diameter and height.
- Shade exterior lining - select your own material or specify from a fabric house.
- Metalware finish - in some circumstances we can offer more finish options.
- If DALI control is required, there is the option to install an LED panel in the pendant.

Contact our friendly sales support staff for more assistance if required. (Tel 1300 887 948)